

SD3 instruction sheet

For use on: Suzuki

Components supplied in your Piranha hub assembly:

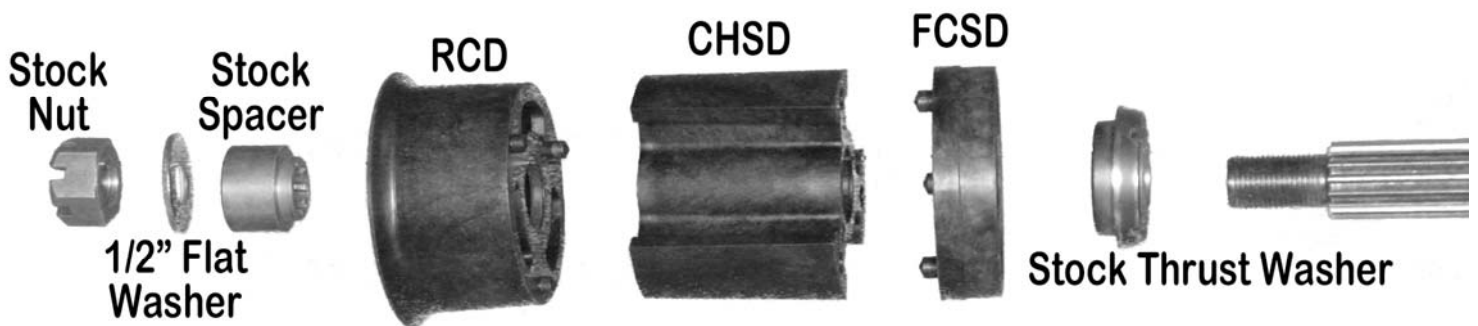
Center Hub	CHSD
Rear Cap	RCD
Front Cap	FCSD
Additional	1/2" SS flatwasher
Additional	Grease

Your original hardware needed:

Stock thrustwasher	X
Stock rear spacer	X
Stock prop nut	X
Stock cotter pin	X

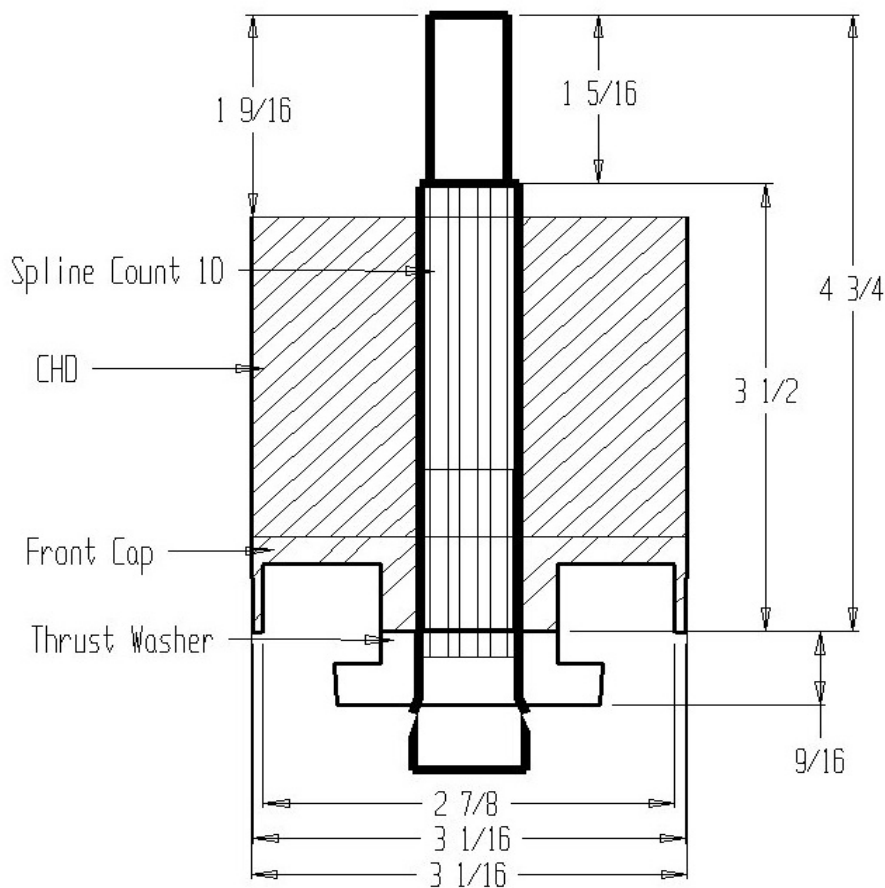
Installation procedure: (also see diagram below)

1. Remove your old prop and hardware
2. Thoroughly clean, then lube your driveshaft with supplied grease
3. Reinstall your original thrustwasher
4. Install your assembled Piranha prop
5. Reinstall your original rear spacer
6. Install the flatwasher supplied with your new prop
7. Reinstall your original prop nut and tighten to approximately 12 ft-lbs of torque
8. Reinstall your original cotter pin to retain the prop nut



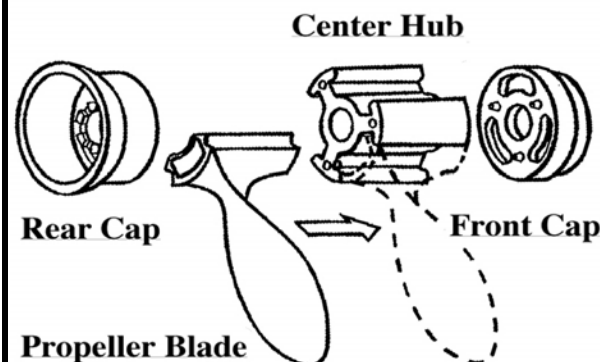
YOUR PROPELLER SHOULD ROTATE FREELY. IF YOUR PROPELLER DOES NOT ROTATE FREELY, CALL THE FACTORY AT 800-235-7767

Gearhead fitcheck: Dimensions of a properly fitting hub are shown here. If you have any difficulty installing your prop, please take these measurements prior to calling the factory.



Assembling the propeller:

1. Insert the blades into the blade sockets. The blades are tapered, so if they do not slide in easily, try turning them over. They should slide in the majority if the way. Tap them until they are flush with the hub.
2. Press the rear cap on to hold the blades. Be sure to align the pins on the cap with the holes on the hub, this ensures the exhaust ports are open.



FACTORY POLICIES:

Exchanges: If your Piranha blades do not perform within the manufacturer recommended Wide Open Throttle rev range, or you would like to adjust your performance contact your local dealer or the Piranha factory. Provided the blades are in like new condition they may be exchanged for a different pitch
Average RPM ranges for applications using the SD3 hub:

Suzuki Outboard

25 hp:	2 stroke: 4500-5500	30 hp:	2 stroke: 5000-56000
	4 stroke: 4700-5300		4 stroke: 5500-6100

Refunds: If, for some reason the Piranha Prop does not perform on your application, Piranha will issue a refund, less shipping charges, for any undamaged items returned within 30 days of purchase

Lifetime center hub warrantees: If your center hub sustains any damage, contact your local dealer, or the factory and exchange it for a new center hub

Piranha Propellers
 3681 Sacramento Dr, Ste D
 San Luis Obispo, CA 93401
 1-800-235-7767
 www.piranha.com